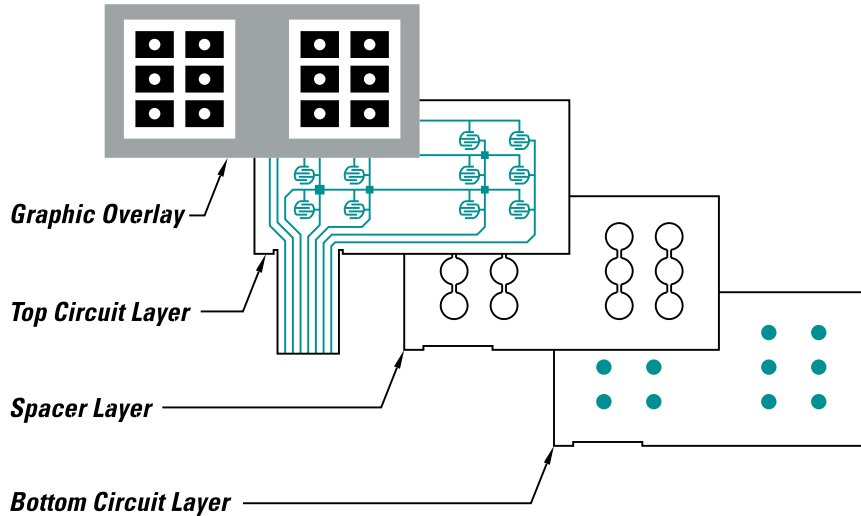




# The Micromotion Membrane Switch

Technical Bulletin T1



The **MICROMOTION** membrane switch is a custom, non-tactile array of normally open single pole single throw (SPST) switches. The design consists of a top and bottom circuit, an insulating spacer, and an optional graphic overlay (see illustration). Pressure applied to the top layer deflects the top circuit through the spacer, making mechanical and electrical contact. This product can be custom designed to fit a wide variety of applications wherever low current momentary switches are required.

## Advantages

- High Reliability
- Long Life
- Design Flexibility

## Options

- Surface Mount LEDs      Bulletin T4
- PCB Assemblies            Bulletin T5
- ESD/RFI Shielding        Bulletin T6

## Applications

- Medical Equipment
- Industrial Process Controllers
- Computer Peripherals
- Military Applications

## Specifications \*

- Actuation Force            4 - 16 oz.
- Switch Travel (nom)      .005 - .010
- Contact Bounce            < 10 ms
- Life Cycles                    10<sup>7</sup>

\* Specifications shown above are typical. Custom configurations are available.

## Screenprint/Dow

A World of Printing Technologies

Wilmington Technology Park  
 200 Research Drive  
 Wilmington, MA 01887-0932  
 Tel (978) 657-7290  
 Fax (978) 658-5692